



GENERATORS PTO

5 kW to 40 kW

230 Volt DC

We know your industry...

SCRAP

STEEL

RAILROAD

Get to know our generators!



- Heavy duty rolled steel frame
- Class H insulation
- Constant force brush springs
- Precision compound wound
- Reversible direction
- Cast iron end bells
- Precision brush holders
- Double sealed ball bearings
- DPFPG enclosure

Our precision compound wound coils help reduce the effects of voltage loss due to RPM fluctuations. Constant voltage equals maximum lift.

We have over 36 years of experience in magnetic material handling applications. SIEB offers a line of lifting magnet generators that are designed for the duty you demand.

Available as PTO or C-face. C-face units can also be used for PTO mounting.

SIEB SALES & ENGINEERING, INC.
10001 EXPRESS DRIVE, HIGHLAND, IN 46322
219-924-3616
www.siebsales.com

MAGNETS

GENERATORS

CONTROLS

GENSETS

● **Material Separation**

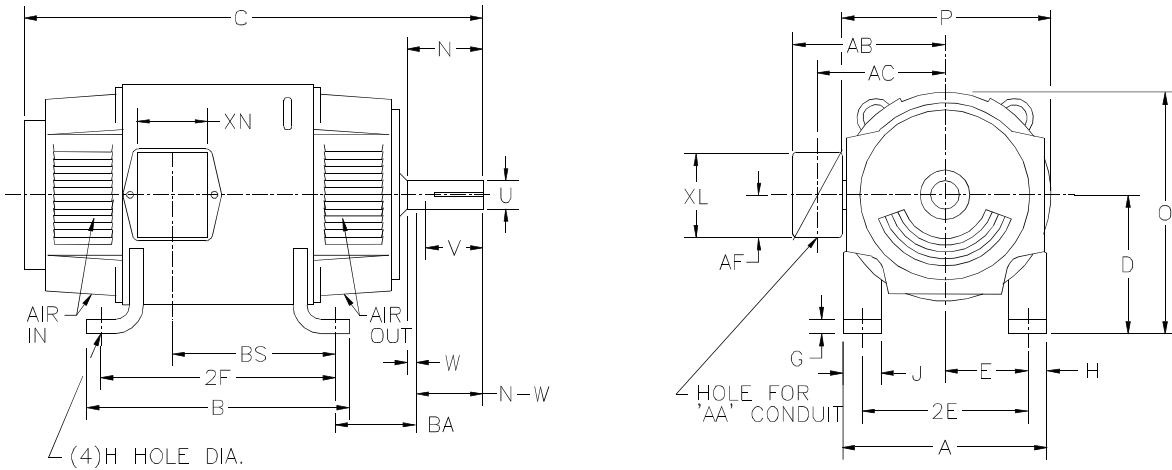
● **Equipment Resale**

● **Repairs**

● **Parts**



GENERATORS PTO



FRAME	FOOT MOUNTING						DRIVE SHAFT EXTENSION					DRIVE KEY	
	BA	E	2F	G	H	J	N	N-W	U	V	W	SQ	LG
1810AT	2.75	3.75	11.00	0.38	0.406	1.50	2.90	2.77	1.125	2.50	0.13	0.250	1.38
219AT	3.50	4.25	11.00	0.50	0.406	2.00	3.00	2.75	1.375	2.50	0.25	0.312	1.75
259AT	4.25	5.00	14.00	0.69	0.531	2.25	3.44	3.25	1.625	3.00	0.19	0.375	2.31
288AT	4.75	5.50	14.00	0.69	0.531	2.50	3.91	3.75	1.875	3.50	0.16	0.500	2.50
328AT	5.25	6.25	16.00	0.81	0.656	3.00	4.40	4.25	2.125	4.00	0.15	0.500	3.12
329AT	5.25	6.25	18.00	0.81	0.656	3.00	4.40	4.25	2.125	4.00	0.15	0.500	3.12

FRAME	FRAME						CONDUIT BOX							WT LBS
	A	B	C	D	O	P	AA	AB	AC	AF	BS	XL	XN	
1810AT	8.81	12.25	21.46	4.50	9.00	9.00	¾ NPT	INTEGRAL WITH ENDPLATE						195
219AT	10.38	12.00	24.50	5.25	10.47	10.44	1 ¼	8.35	6.72	2.94	9.38	4.94	4.00	260
259AT	12.38	15.50	28.00	6.25	12.47	12.44	1 ¼	9.35	7.72	2.94	11.25	4.94	4.00	411
288AT	13.81	15.62	32.00	7.00	13.88	13.75	1 ¼	11.88	9.25	5.00	12.64	7.88	5.25	566
328AT	15.88	17.75	34.63	8.00	15.94	15.88	2	12.94	10.32	5.00	13.68	7.88	5.25	775
329AT	15.88	19.75	36.63	8.00	15.94	15.88	2	12.94	10.32	5.00	15.68	7.88	5.25	884

- Check out SIEB's field control resistors and meter packs to ensure the generator output is a constant 230 volts.
- See our other product literature for C-face units. C-face units can also be used for PTO mounting.
- We also offer diesel, gasoline and hydraulically driven gensets, as well as self-contained units.

MOD #	FRAME	KW	RPM	AMPS
SE5KW	1810AT	5	2500	22
SE7.5KW	219AT	7.5	2500	33
SE10KW	219AT	10	2500	44
SE15KW	259AT	15	1750	65
SE20KW	288AT	20	1750	87
SE25KW	328AT	25	1750	109
SE33KW	328AT	33	1750	143
SE40KW	329AT	40	1750	174

SIEB SALES & ENGINEERING, INC.

10001 EXPRESS DRIVE, HIGHLAND, IN 46322

219-924-3616

www.siebsales.com